

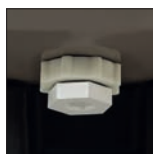
# ProSeries™ HL Side

## ATTRACTIVE, STURDY DESIGN

- **Fibreglass-reinforced polyester filter body** for enhanced pressure resistance. Its structure gives it great strength
- **A complete range:** four products to suit all your customers' pool configurations
- **Bolted opaque cover**
- **Wide top opening** to facilitate easier sand loading
- **Supplied with 6-way valve.**
- All models are fitted with a **pressure gauge**



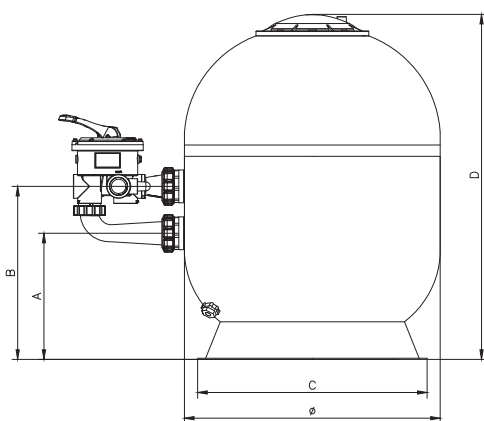
6-position valve with integrated pressure gauge



Drain plug for easy maintenance



Wide top opening for easier sand loading



### Technical Specifications

Max. water temperature	50°C
Operating pressure	0.5 - 1.3 bar
Maximum pressure	1.6 bar
Connection	1.5" (ø 520 mm - ø 640 mm) 2" (ø 760 mm - ø 900 mm)
Tank / Arms / Unions / Cover	Polyester with F.G./PP/ABS/ PC, suitable for saltwater
Granulometry of filtration media	0.4 ÷ 0.8 mm

PROSERIES™  
HL SIDE

Flow rate	Diameter ø	In/Out	Filtration area	Empty weight	Sand	Dimensions				Item.
						A	B	C	D	
10 m³/h	520 mm	1" ½	0.21 m²	11 kg	100 kg	305 mm	430 mm	458 mm	775 mm	S210SLE
14 m³/h	640 mm	1" ½	0.32 m²	21 kg	165 kg	315 mm	440 mm	458 mm	860 mm	S240SLE
22.5 m³/h	760 mm	2"	0.45 m²	31 kg	305 kg	365 mm	455 mm	605 mm	900 mm	S310SLE
31.5 m³/h	900 mm	2"	0.63 m²	40 kg	425 kg	365 mm	505 mm	605 mm	900 mm	S360SLE

1.5" connection filters are supplied with valve Ref. SP0719SKR-LP and unions Ref. SP0719PAKRR.  
2" connection filters are supplied with valve Ref. 250120011300 and unions Ref. 500200061100.