

# ProSeries™ HL TL Side

**EXPERT LINE**

**5** TANK **2** EQUIPMENT

**OPTIMIZED HYDRAULIC FOR A HIGH QUALITY FILTRATION**

- **Polyester fiber glass reinforced filter** for swimming pools up to 189 m<sup>3</sup>
- **Twist-lock super fast closing mechanism**, no tool required
- **Dual-Side diffuser**, optimal water spreading over the media
- **Quick connect laterals** and big drain for easy maintenance
- **Monoblock inner unions**, no glued parts
- **Big drain, easy maintenance**, no tools needed
- **Operating pressure: 2.5 bar**



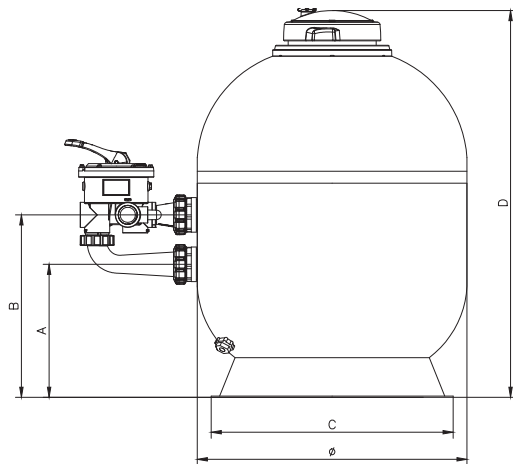
Twist lock mechanism for fast closing



Drain plug for easy maintenance



VariFlo™\* 6 way valve



**Technical Specifications**

|                                  |  |
|----------------------------------|--|
| Max. water temperature           | 50°C   |
| Operating pressure               | 0.5 - 1.3 bar  |
| Maximum pressure                 | 2.5 bar  |
| Connection                       | 1.5" (ø 520 mm - ø 640 mm)<br>2" (ø 760 mm - ø 900 mm) |
| Tank / Arms / Unions / Cover     | Polyester with F.G./PP/ABS/ PC, suitable for saltwater |
| Granulometry of filtration media | 0.4 ÷ 0.8 mm   |

|                          | Flow rate            | Diameter ø | I/O  | Filtering area      | Empty weight | Sand   | Dimensions |        |        |        | Item.     |
|--------------------------|----------------------|------------|------|---------------------|--------------|--------|------------|--------|--------|--------|-----------|
|                          |                      |            |      |                     |              |        | A          | B      | C      | D      |           |
| PROSERIES™<br>HL TL SIDE | 10 m <sup>3</sup> /h | 520 mm     | 1" ½ | 0.21 m <sup>2</sup> | 17 kg        | 100 kg | 305 mm     | 430 mm | 458 mm | 832 mm | S210SLETL |
|                          | 14 m <sup>3</sup> /h | 640 mm     | 1" ½ | 0.32 m <sup>2</sup> | 23 kg        | 165 kg | 315 mm     | 440 mm | 458 mm | 917 mm | S240SLETL |
|                          | 22 m <sup>3</sup> /h | 760 mm     | 2"   | 0.45 m <sup>2</sup> | 34 kg        | 305 kg | 365 mm     | 455 mm | 605 mm | 957 mm | S310SLETL |
|                          | 30 m <sup>3</sup> /h | 900 mm     | 2"   | 0.63 m <sup>2</sup> | 45 kg        | 425 kg | 365 mm     | 505 mm | 605 mm | 957 mm | S360SLETL |

1.5" connection filters are supplied with valve Ref. SP0719SKR-LP and unions Ref. SP0719PAKRR.  
2" connection filters are supplied with valve Ref. 250120011300 and unions Ref. 500200061100.